

Control Joint Spacing for CMU Fences		
Joint Reinforcement Spacing (in. on center vertically)	Control Joint Spacing Expressed as Ratio of CMU Panel Length to Panel Height, L/H	Maximum Control Joint spacing (ft.)
None	2	40
8	2-1/2	45
16	3	50
32	4	60

(From NCMA TEK Bulletin 10-1.)

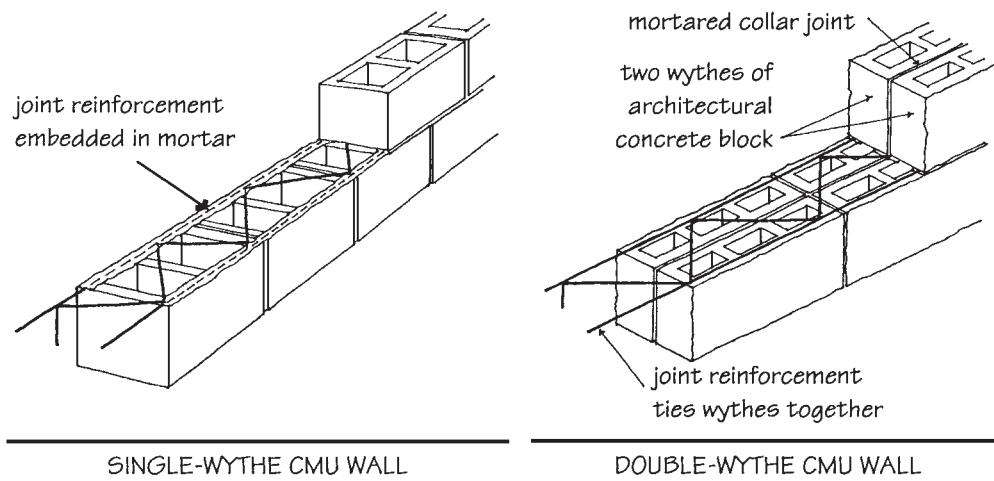


Figure 10-11 Joint reinforcement and control joint spacing for shrinkage crack control in single-wythe and multi-wythe concrete masonry fences.

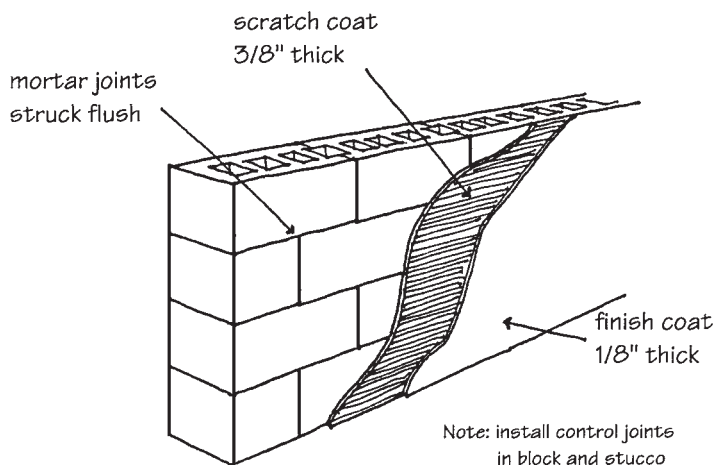
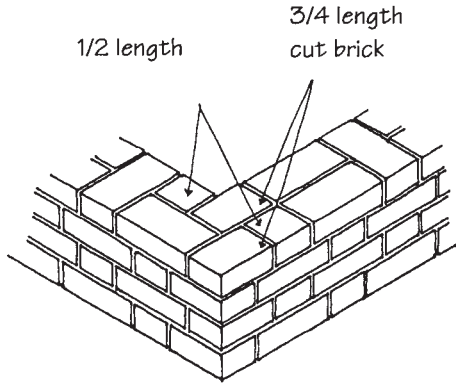
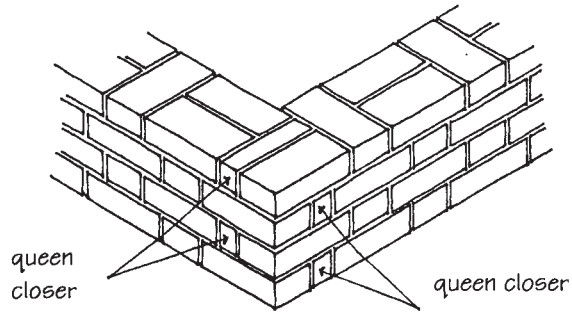


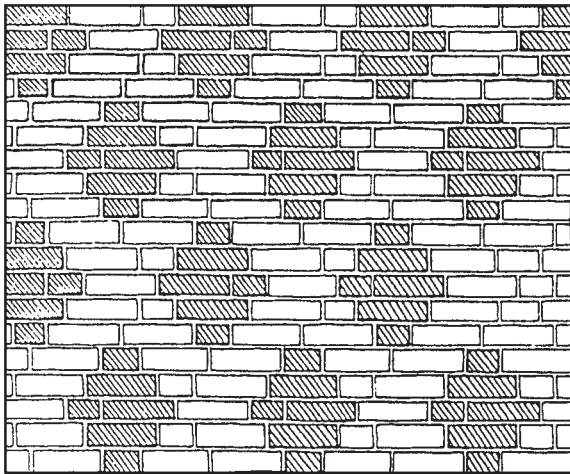
Figure 10-12 Direct two-coat plaster on concrete masonry.



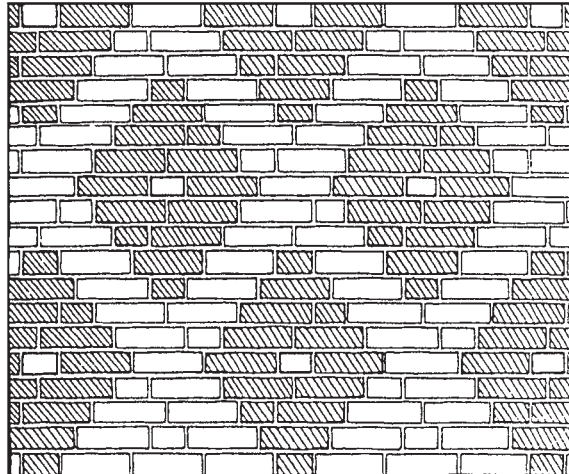
DUTCH CORNER BOND



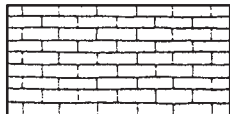
ENGLISH CORNER BOND



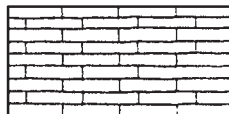
double stretcher garden wall bond
with units in diagonal lines



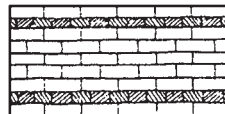
garden wall bond with units
in dovetail pattern



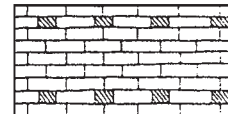
running bond



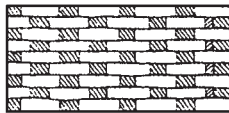
1/3 running bond



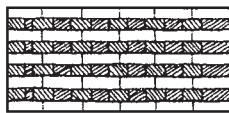
common bond or
American bond
6th course headers



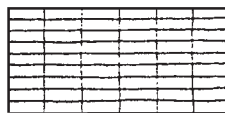
common bond or
American bond
6th course Flemish headers



Dutch
corner

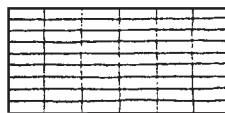


English
corner

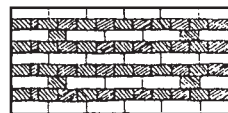


English
corner

Dutch
corner



stack bond



English
corner

Dutch
corner

English cross or
Dutch bond

Flemish bond

English bond

Figure 10-13 Traditional multi-wythe, masonry bonded brick fences.